

Universal Filler 120 – Datasheet

A unique machine for all your capsule sizes

1. Product presentation

Serial:



The Universal Filler is composed of a unique and robust frame and colour-coded plates sets corresponding to different capsule sizes.

- One single frame for all capsule sizes.
- Only metallic plates and frame.
- Fill capsule sizes 000, 00, 0, 1, 2, 3 and 4.
- No adjustment necessary.
- 120 capsules at a time.
- Possibility to fill less capsules with the Modular Powder Stop.
- Extra space to fill the capsules.
- Very robust design.
- Easy to wash.

Universal Filler 120 – Datasheet

A unique machine for all your capsule sizes

2. Safety information and disclaimer

All material should be cleaned before every use.

Many parts are heavy and might cause injury if mishandled or in case of fall.

Always work on a stable and flat surface, at a height that is comfortable to work while standing. Have sufficient free space around the machine that you are working with.

As the filling is manual, results may vary depending on the user. Other factors can influence the results such as but not limited to: type of power, number of tamps, filling weight, capsule size, vibration type and intensity. It is the responsibility of the user to make sure the prescribed dose is respected. Feton International is not responsible for wrong dosing.

Illustrations, descriptions and specifications are not contractual and are subject to change without prior notice.

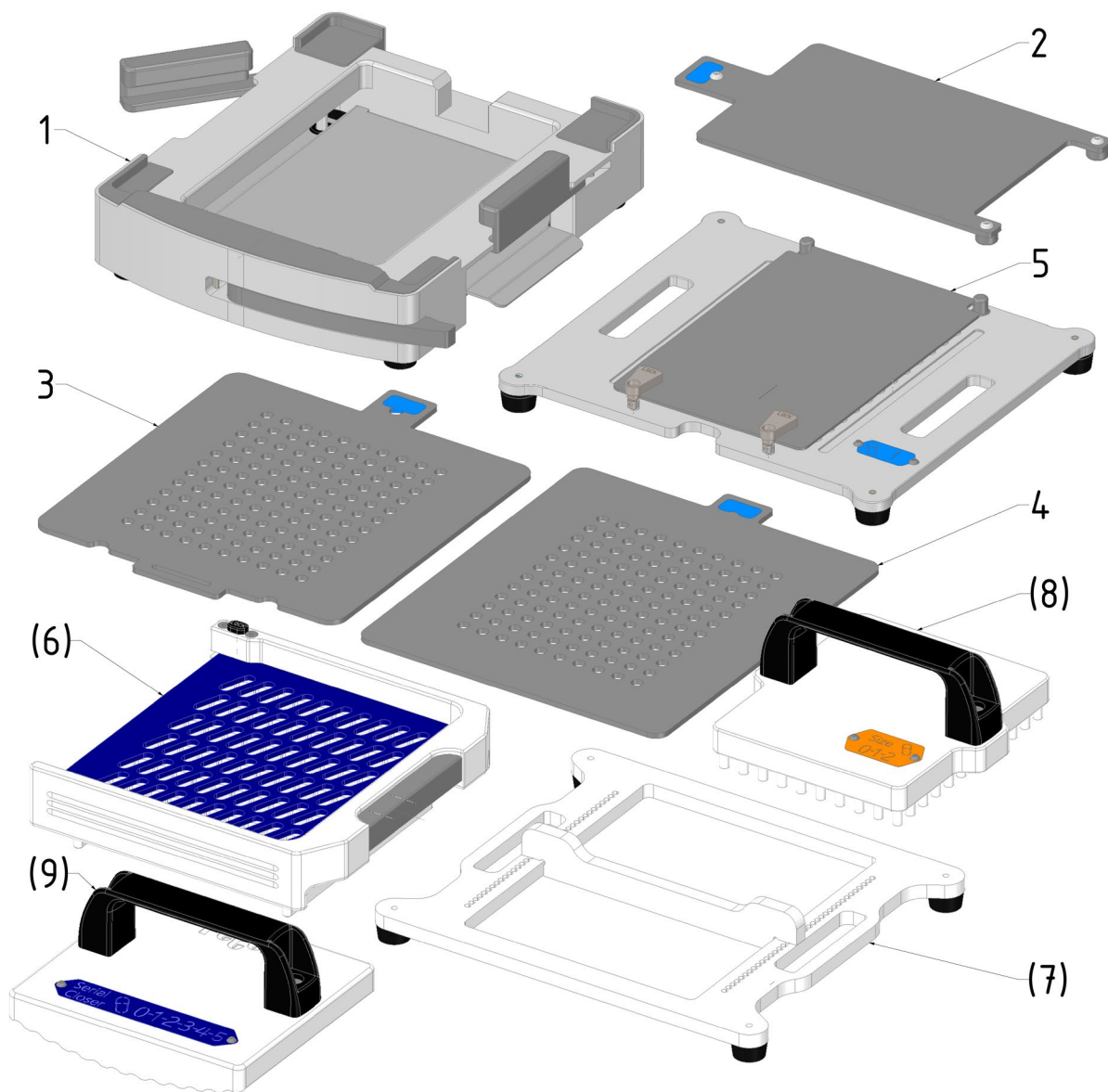
Feton International sprl declines all liability in the event of improper use of its products.

Universal Filler 120 – Datasheet

A unique machine for all your capsule sizes

3. Technical data

3.1 Components list and Materials



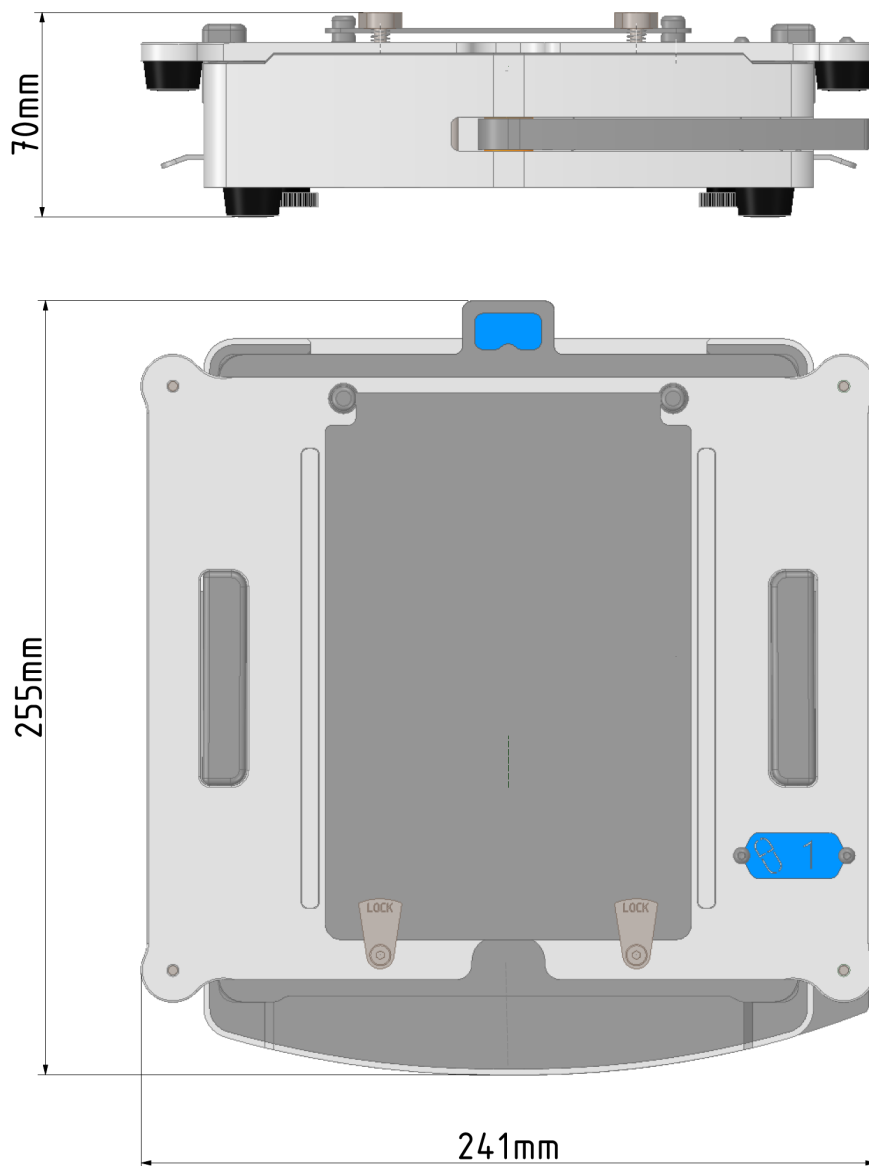
Item N°	Quantity	Name	Material
1	1	Frame	316 Stainless Steel and Anodised Aluminium
2	1	Spacer Plate	316 Stainless Steel
3	1	Bottom Plate	316 Stainless Steel
4	1	Filling Plate	316 Stainless Steel
5	1	Top Plate	Anodised Aluminium and 316 Stainless Steel
6	1	Capsule Loader (optional)	POM, PMMA and 316 Stainless Steel
7	1	Modular Powder Stop (optional)	PMMA
8	1	Tamper 120 pins (optional)	POM
9	1	Serial Closer (optional)	POM

Universal Filler 120 – Datasheet

A unique machine for all your capsule sizes

3.2 Product Dimensions and Weight

Weight (frame + plates set): from 5,8 kg (size 000) to 6,3 kg (size 4)



Universal Filler 120 – Datasheet

A unique machine for all your capsule sizes

3.3 Colour codes

Each set of plates, used for one specific capsule size, is composed of:

- 1 Spacer plate;
- 1 Bottom plate;
- 1 Filing plate;
- 1 Top plate.

Each plate is identified by a coloured label corresponding to the capsule size.

Colour	Capsule Size
Red	000
Black	00
Orange	0
Blue	1
Yellow	2
Green	3
Brown	4

4. How to use

NOTE : Operate your capsule filler at least one time without filling the capsules (steps 3-4-5-8) at the start of every preparation. This will allow you to check that everything is working correctly.

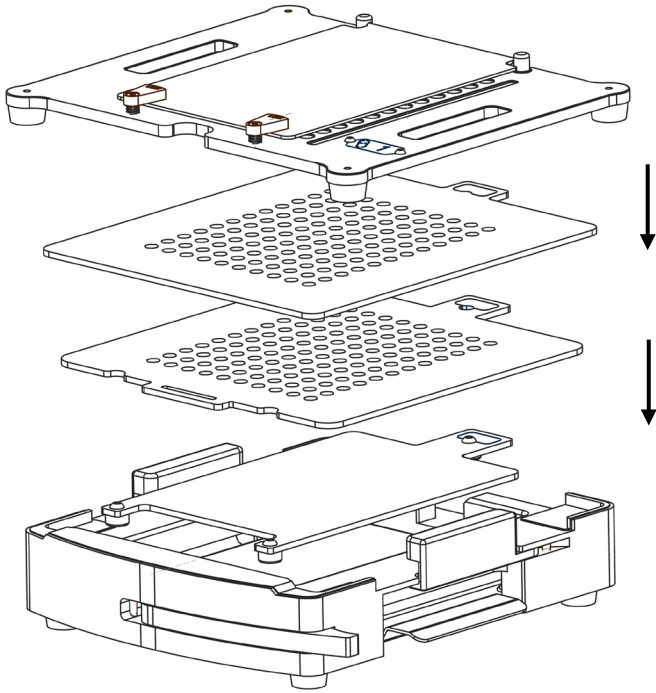
See table below for visual instructions.

1. Prepare your material: choose the right set of plates for the capsule size you are using. Install the plates in this order: Spacer plate, Bottom Plate, Filling Plate, Top Plate.
2. If you have a capsule Loader, please refer to the Loader datasheet for instructions. If you do not have a capsule Loader, place the capsules into the Top Plate one by one.
3. Pull the Lever to lock the capsules' bodies.
4. Pull the Top Plate upwards, starting from the back side for easier separation.
5. Release the Lever. If needed, push on the capsules' bodies so that they are flush with the Filling Plate.
6. Fill the capsules. You can move the side locks to have more space to spread the powder. You can also use the Modular Powder Stop to prevent powder loss or to fill less than 120 capsules.
7. If needed, you can use a Tamper to push the powder into the capsules to be able to fill a higher volume.
8. Place the Top Plate. Pull the Base Plate to push the capsules' bodies into the capsules' heads. The capsules are now "pre-closed".
9. Take the Top Plate and turn it upside down on your table. If you have a Serial Closer, use it to close the capsules in one motion. If not, close the capsules by hand.
10. To push the capsule out of the top plate, open the lid and place the top plate on a spacer plate.

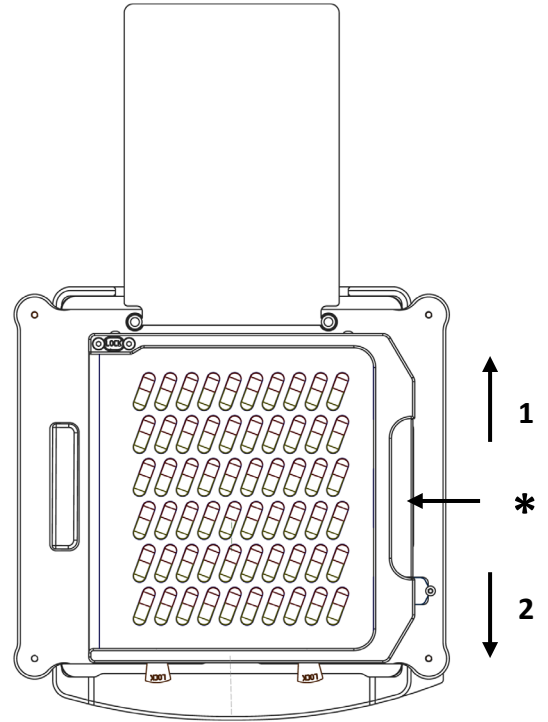
Universal Filler 120 – Datasheet

A unique machine for all your capsule sizes

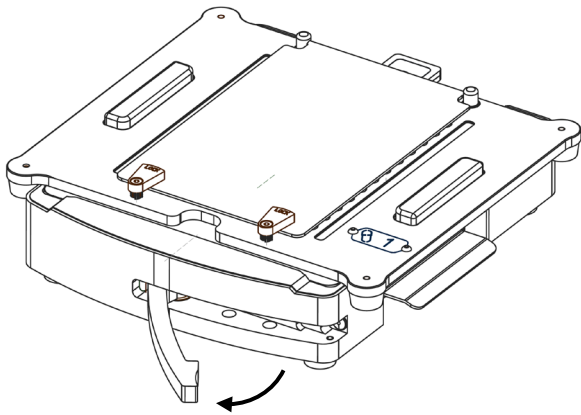
1



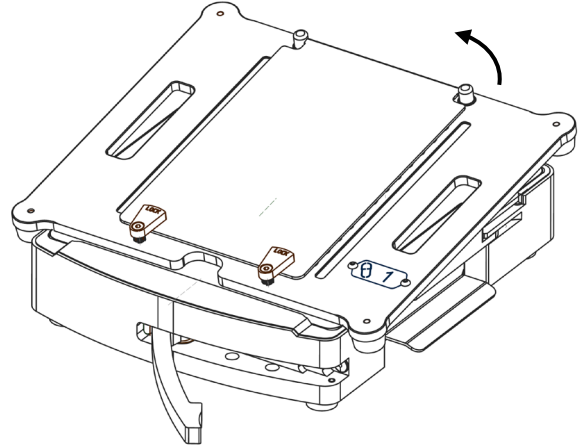
2



3



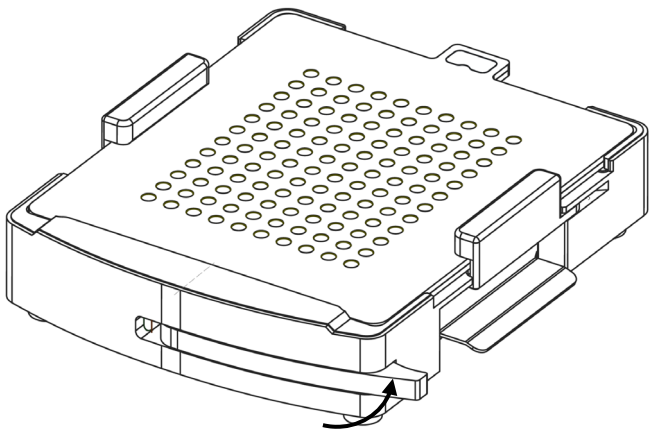
4



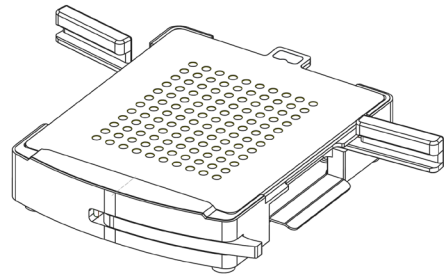
Universal Filler 120 – Datasheet

A unique machine for all your capsule sizes

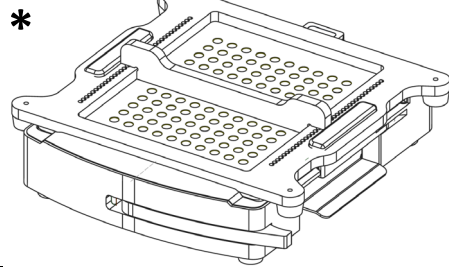
5



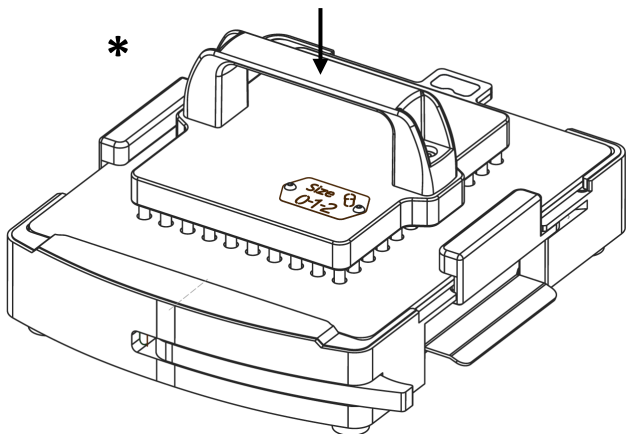
6



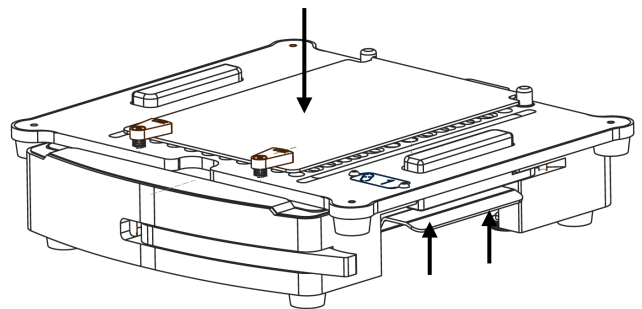
OR



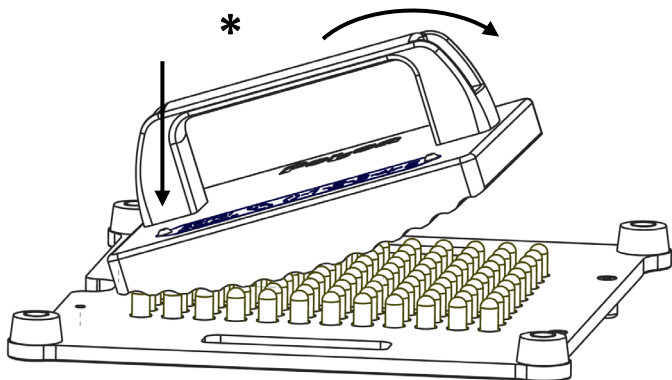
7



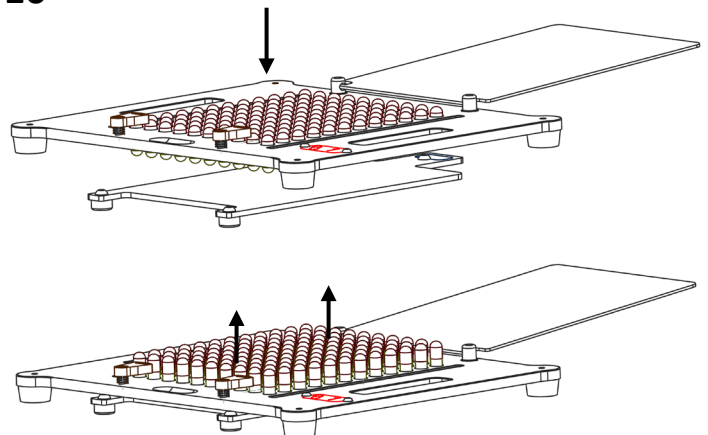
8



9



10



* Optional accessory

Universal Filler 120 – Datasheet

A unique machine for all your capsule sizes

5. How to wash

It is important to wash the parts in contact with the capsules or the powder thoroughly between each use to avoid contamination. Washing can be done by hand, in a dishwasher or in an autoclave. If done by hand, use warm water and soap.

Use a temperature of up to 110°C / 230°F for all the metallic parts.

Use a temperature of up to 40°C / 104°F for all the plastic parts.

If you have difficulties washing the inside of holes on the plates, use a brush:



To clean the underside of the Frame or to clean the Base Plate, remove the four knurled knobs by hand. Then remove the Base Plate.

